

DRINKING WATER TAP RANGE



**DETAILS, SPECIFICATIONS AND DIMENSIONS OF OUR RANGE OF
DRINKING WATER TAPS
INCLUDING THE NEW INTERTAP, FRANKE FILTERFLOW RANGE
AND ABODE AQUAFIER RANGE**



NEW AQUAMATIC INTERTAP

Highly Recommended

Modern Styling

To suit the majority of modern sinks/kitchens

Fixed Sanitip

No more cracked plastic ends

7" Spout

Not too long, not too short. Will still reach sink from worktop but not overly long so that it's in the way. High enough for kettles and carafes but not too high that it overpowers existing tap

Retained Spout

Retained by threaded cap and circlip, not just screwed into body

Long Lever

Easy for the elderly, children or arthritis sufferers

Plastic Internals

Combined with alloy body and brass stud and spout helps reduce cost and lower lead content

Ceramic Disc Valve

For easy, smooth operation and greater reliability. Can also be easily cleaned or replaced in situ

'O' ring Base Seal

No unsightly black washers

Intermediate Size

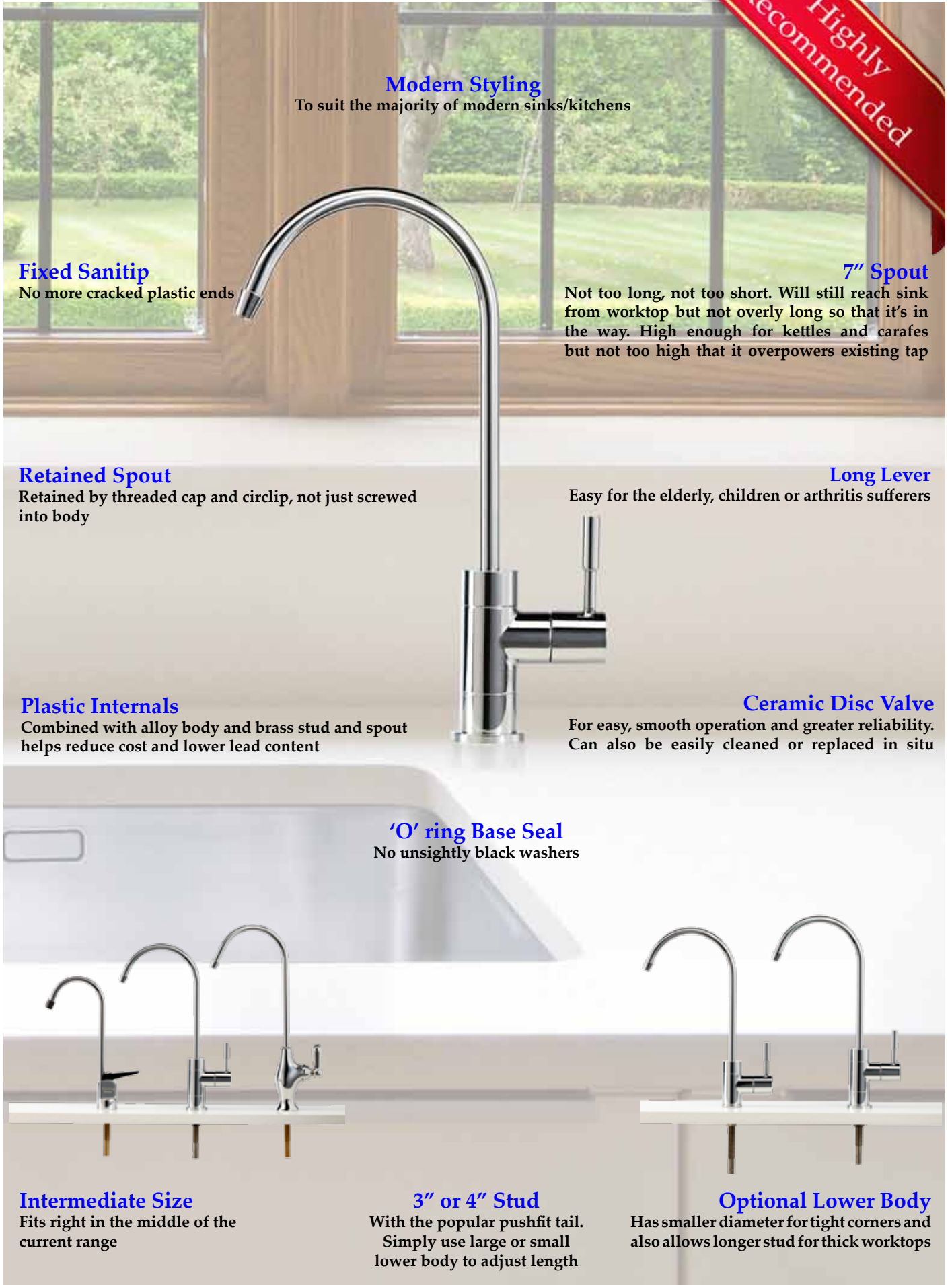
Fits right in the middle of the current range

3" or 4" Stud

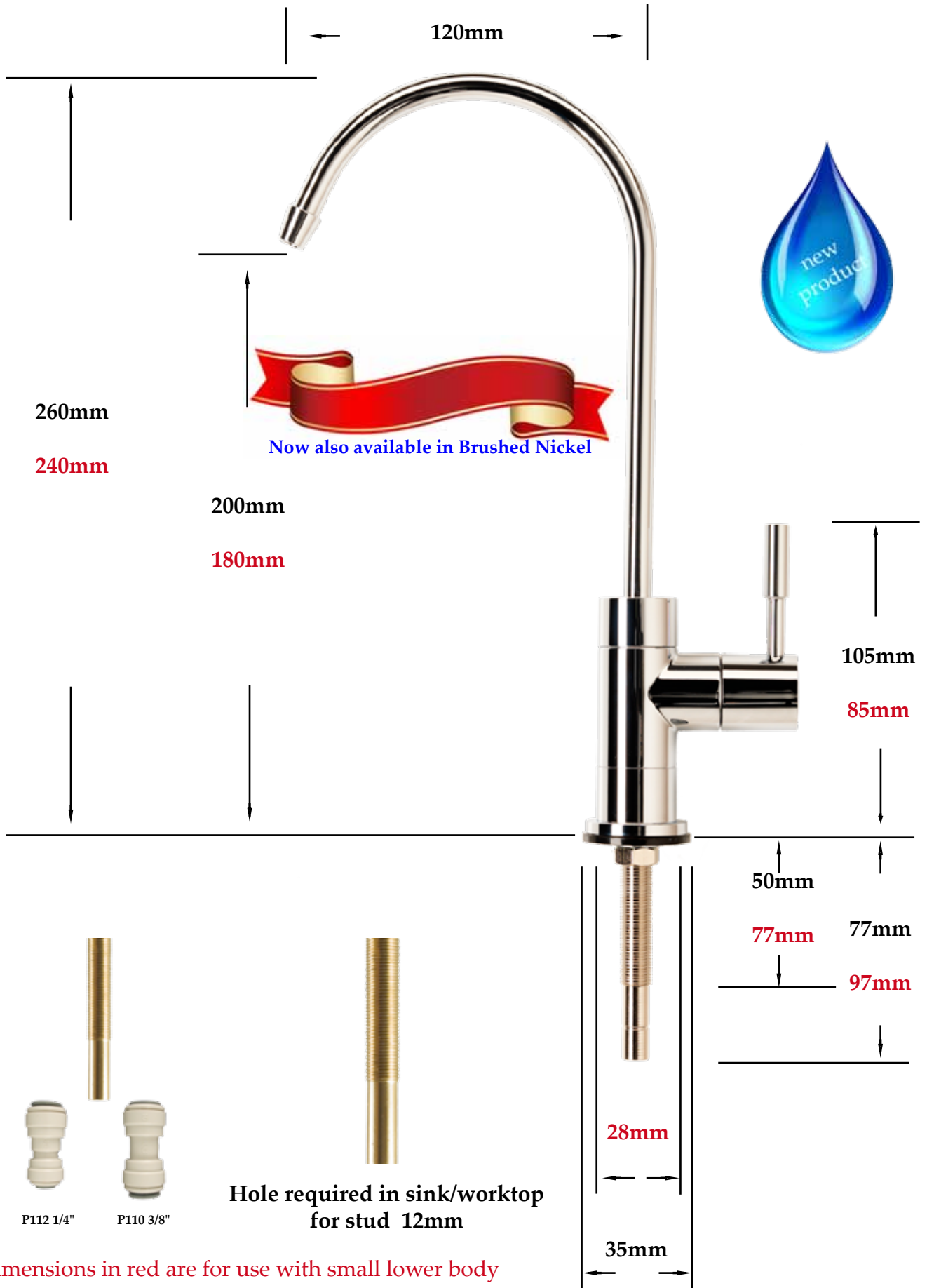
With the popular pushfit tail. Simply use large or small lower body to adjust length

Optional Lower Body

Has smaller diameter for tight corners and also allows longer stud for thick worktops



AQUAMATIC INTERTAP DIMENSIONS



DUO TAPS

Duo Faucet Range

The new Duo range are available with the popular pushfit stem plus they are all laser printed with "Drinking Water", in addition each one will be supplied with both standard and long reach spouts so that you will always have both types available for installation. Simply use which one is required and discard the other. They are also supplied in individual boxes for better protection in transit and in your stores/vans. They are also available with tube attached with either 1/4" or 3/8" tube.



Push-Fit Faucets

Everybody knows that the worst part about installing faucets is getting under the sink to make the tube connection. This faucet is the answer. All you need to do is drill the hole and fit the faucet in the usual way. Then simply attach a 3/8" Speed-fit fitting to the tube (either a straight connector - P110, elbow - P111 or a reducer - P112), reach under and push onto the straight tail of the faucet. Simple and versatile.



B15PDUO Chrome Push Fit Duo
B15PADUO Almond Push Fit Duo
B15PWDUO White Push Fit Duo

B15PSCDUO Satin Chrome Push Fit Duo
B15PBDUO Brass Push Fit Duo

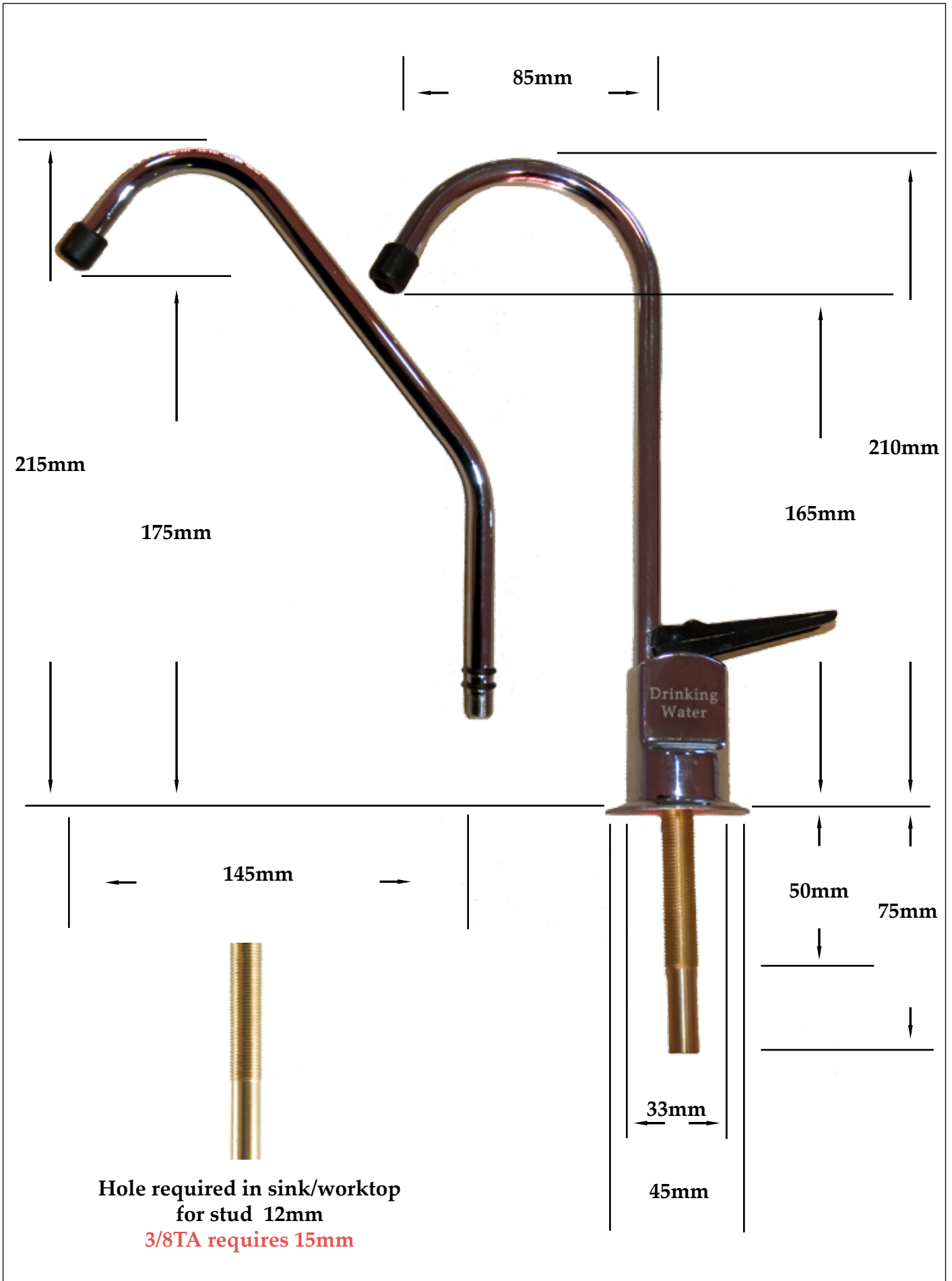
Tube Attached Faucets

For those who prefer not to have to crawl under the sink to connect the tube these faucets have a 3' length of 1/4" or 3/8" tube already attached. All other features are the same as the push-fit faucets above including the dual spouts and laser printing. *Please note that if you are installing the 3/8" version you will need a larger wrench and drill bit (or use a cone cutter).*



B15TADUO Tube Attached Faucet Duo
B15TADUO38 Tube Attached Faucet 3/8 Duo

DUO TAP DIMENSIONS



QUARTER TURN MULTI TAP

6 in 1 Quarter Turn Push Fit Multi Tap

This unique tap brings 6 options in one box. 3 different handles and 2 different spouts means that just one product will provide a choice of 6 styles from 1 box. So easy, so useful, so cost efficient. Your customers will be impressed with the choice. **This tap comes with quarter turn ceramic disc operation as well as the popular pushfit stem.** Packed in an individual box for protection in transit and storage.



B15QTMULTI



P112 1/4"

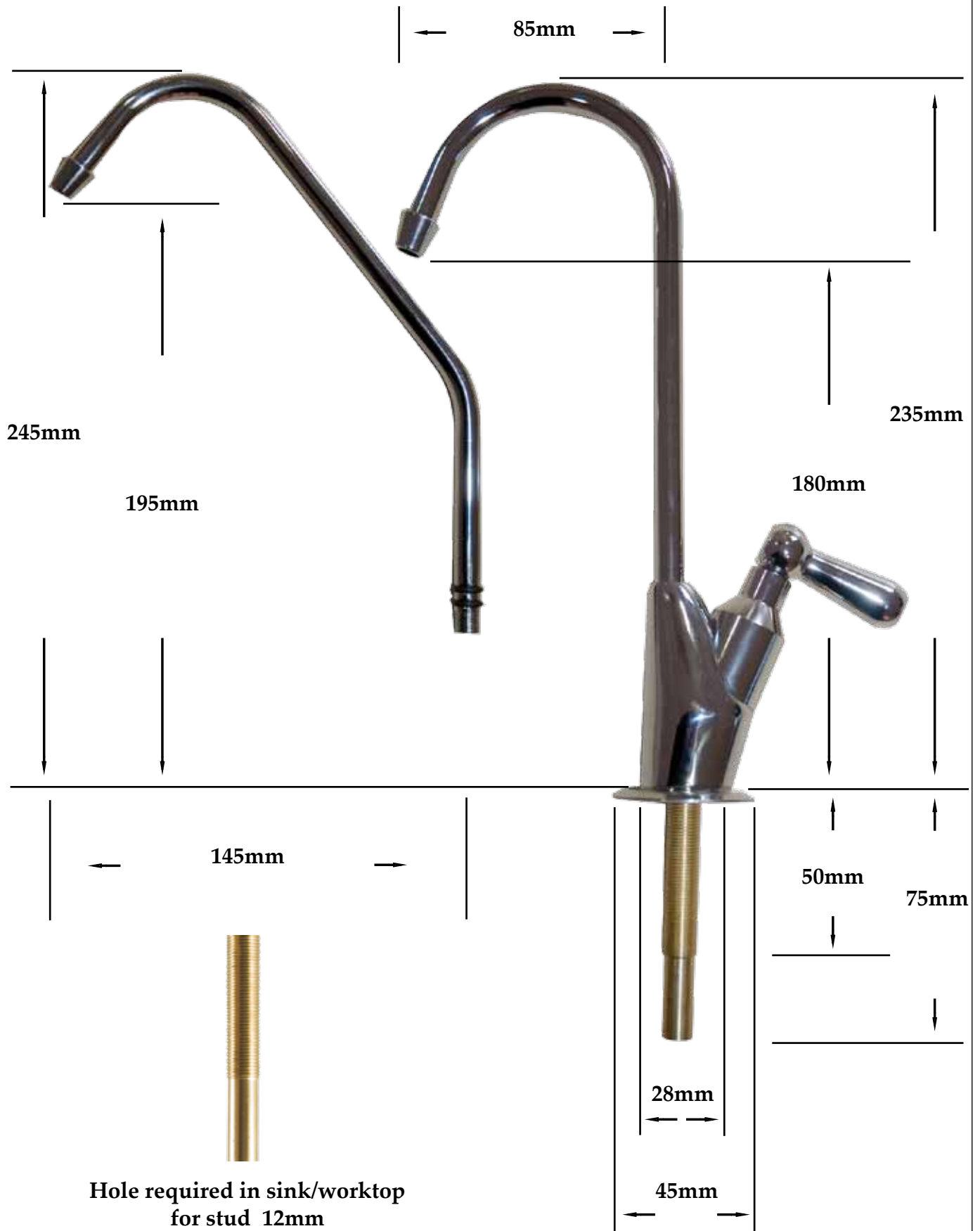
P110 3/8"

THIS ONE PRODUCT CAN MAKE ANY OF THESE !!!



B15QTMULTI Quarter Turn Push Fit Multi tap

QUARTER TURN MULTI TAP DIMENSIONS



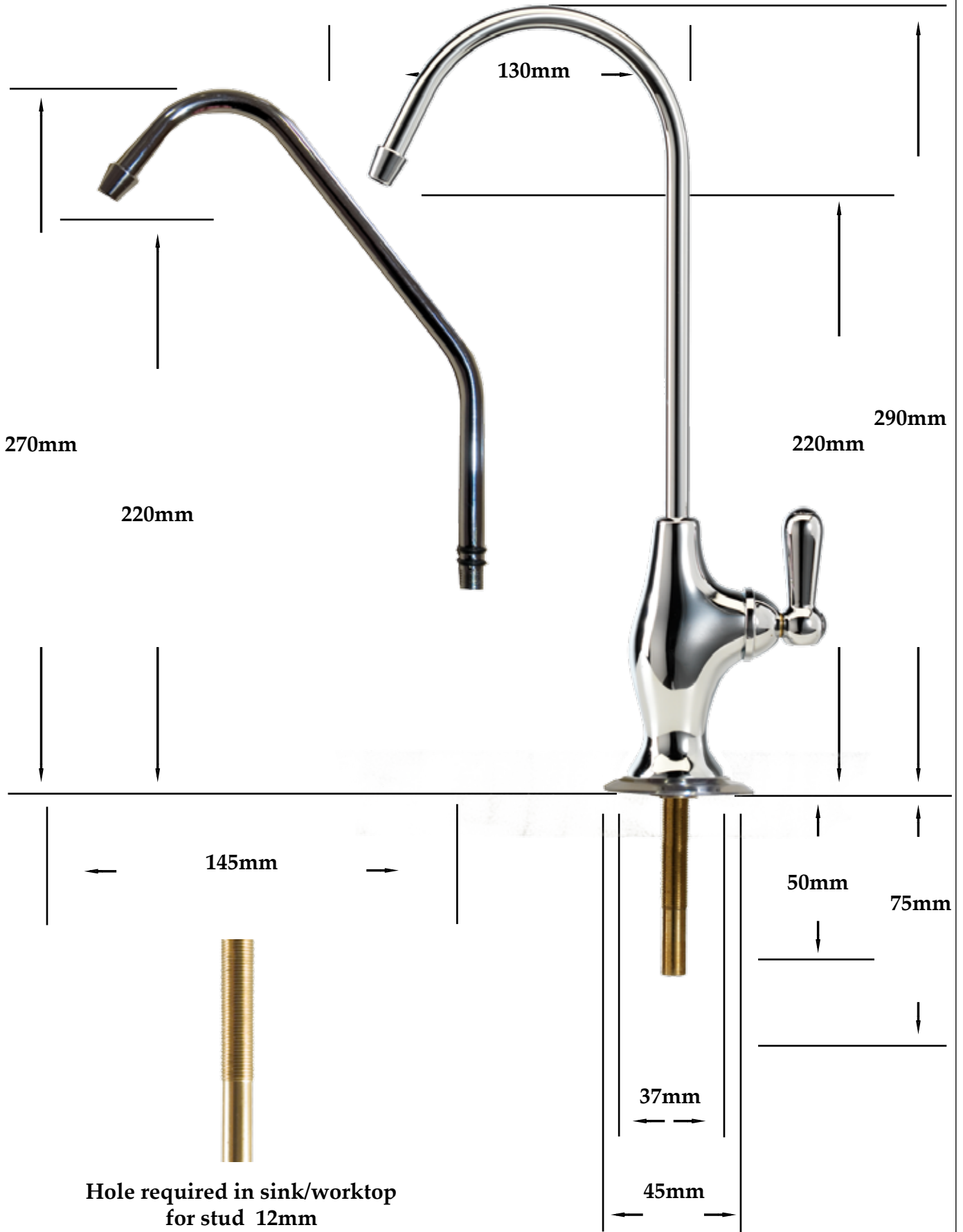
QUARTER TURN TALL ITALIAN STYLE TAP

Quarter Turn Tall Italian Style Tap Chrome

A new addition to the catalogue, this tap brings further choice and style to our range. Like the B15QTMULTI, **this tap comes with quarter turn ceramic disc operation as well as the popular pushfit stem.** Packed in an individual box for protection in transit and storage. Also has optional long reach spout included.



QUARTER TURN TALL ITALIAN TAP DIMENSIONS



FRANKE FILTERFLOW TAPS

Franke Filterflow Taps

Franke Filterflow taps are tried and trusted with a well recognized name. All come with all the necessary fittings/valves/connections required for installation. As these taps are made for the UK market, they are suitable for both vented and unvented systems. These are obviously slightly pricier than the imported taps, but the quality and the fact that they are guaranteed and supported nationwide means that you can install these with confidence.

At last we can now buy the Franke taps without their own filter unit. This means a great reduction in price and allows us to use any filter that we wish with them. Should you so desire, their filter is still available as a separate kit and is listed below.

Please note that from now on our part numbers and prices are for the tap only.



WE ARE ABLE TO SUPPLY ANY FRANKE PRODUCT

FRANKE FILTERFLOW TAPS



B222 CORINTHIAN



B226 OLYMPUS



B228 DORIC



B330 KUBUS

- B222 Franke Corinthian Chrome tap only
- B223 Franke Corinthian Silksteel tap only
- B226 Franke Olympus Chrome tap only
- B227 Franke Olympus Silksteel tap only
- B228 Franke Doric Chrome tap only
- B229 Franke Doric Silksteel tap only
- B330 Franke Kubus Chrome tap only
- B331 Franke Kubus Silksteel tap only
- B221 Franke Zurich Chrome tap only

B230 Franke Filter Kit For All Filterflow Taps



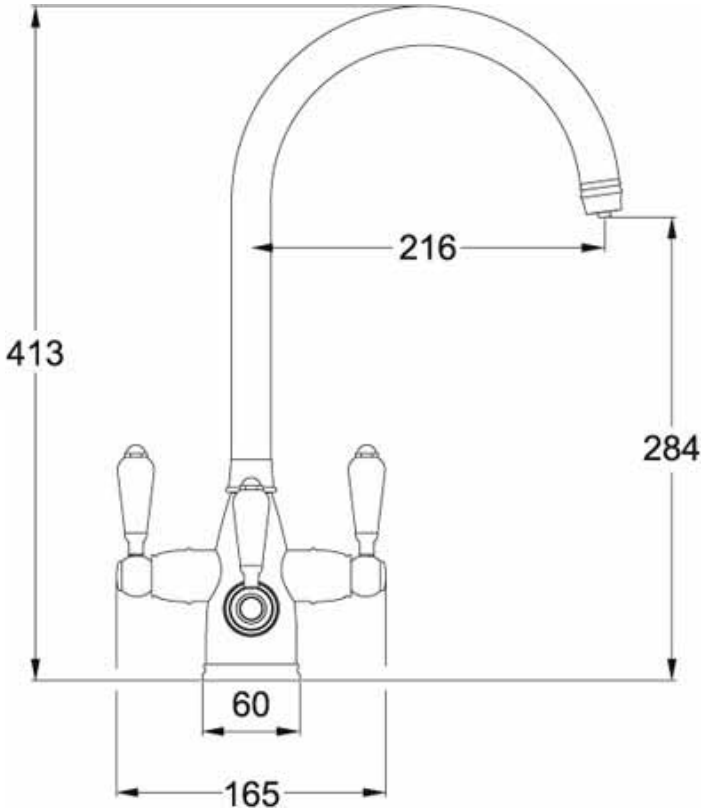
B221 ZURICH



B230

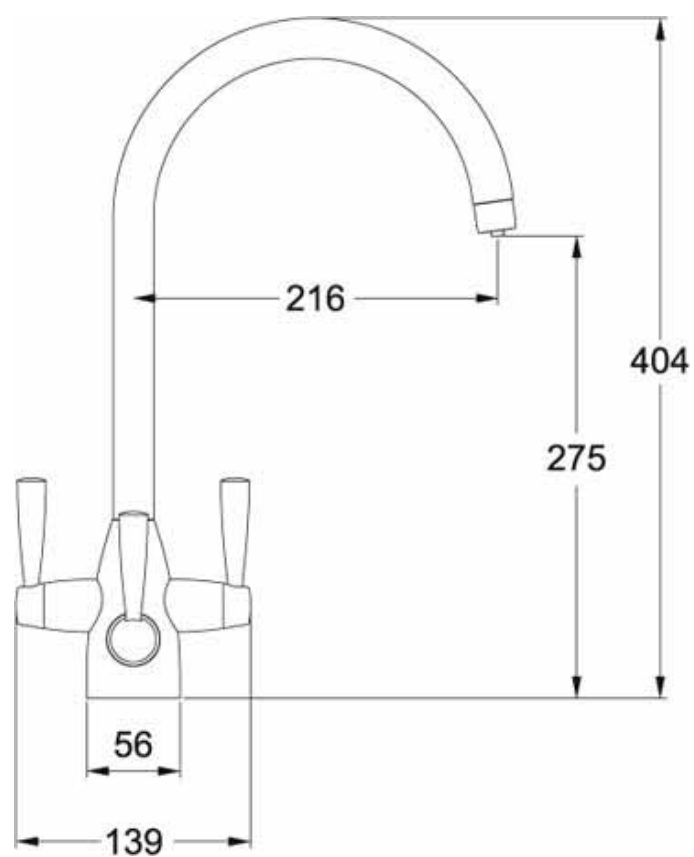
Products with part numbers in red may have to be ordered

FRANKE FILTERFLOW CORINTHIAN TAP



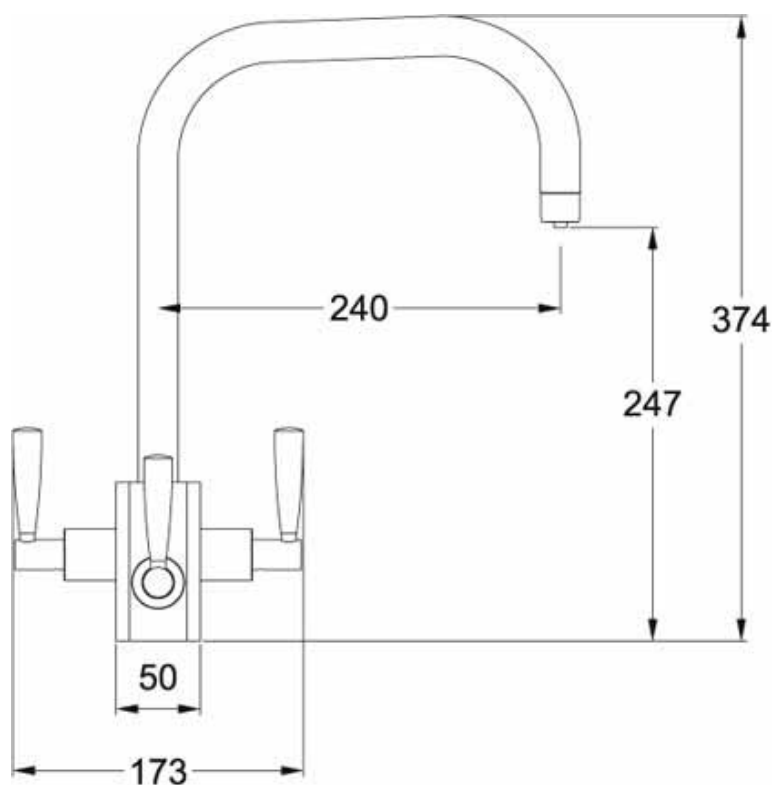
B222 Franke Corinthian Chrome
B223 Franke Corinthian Silksteel

FRANKE FILTERFLOW DORIC TAP



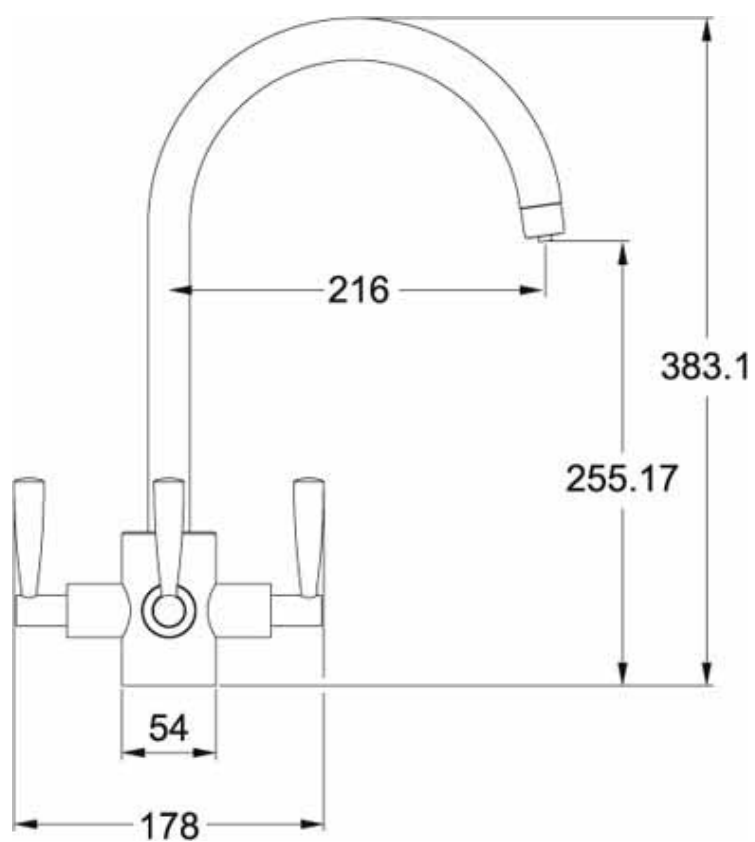
B228 Franke Doric Chrome
B229 Franke Doric Silksteel

FRANKE FILTERFLOW KUBUS TAP



B330 Franke Kubus Chrome
B331 Franke Kubus Silksteel

FRANKE FILTERFLOW OLYMPUS TAP



B226 Franke Olympus Chrome
B227 Franke Olympus Silksteel

GOSFORD 3 WAY TAP

These 3 way taps offer a quality product without a filter so that you can use your own (or preferably one of ours) at a reasonable price. Unlike a lot of cheaper taps, these are suitable for all types of hot water systems. They have 15mm connections for the best flow rates. Filter connection is 1/4" F. Adaptors for both 1/4" and 3/8" tube are included



- B335 Gosford 3 way Tap Chrome
- B336 Gosford 3 way Tap Brushed Nickel

Also available to order in Antique Bronze





Product features:

- Metal construction throughout
- Push the cold lever backwards for crystal clear filtered water, easy to change, high quality carbon filter
- Supplied complete with installation kit and filter cartridge
- Quarter turn handle action for precise flow control
- Antisplash spout supplied as standard

Additional information / Parts included:

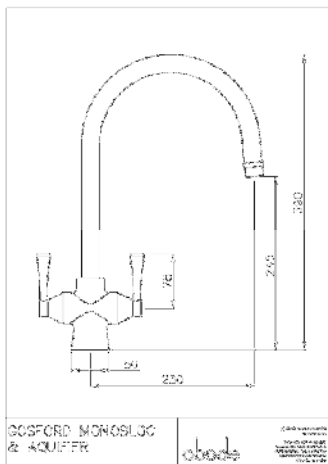
Packaged properties:

Box length: 430mm **Box depth:** 70mm
Box width: 340mm **Units per outer:** 5

Tap only weight: 1.875kg

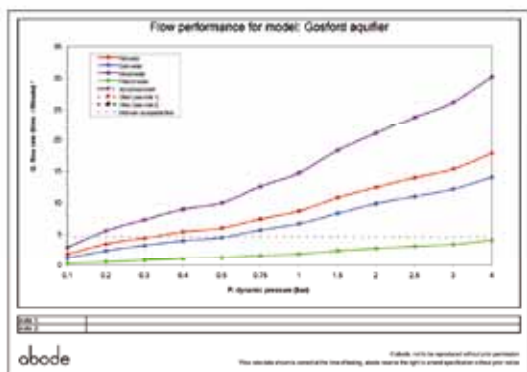
Boxed weight: 2.474*kg

Product dimensions:










- **Overall Height / projection:** 390 mm
- **Exit reach:** 230 mm
- **Exit height:** 245 mm
- **Centre distance(s):** 55 mm
- **Base diameter(s):** 50 mm
- **Recommened hole diameter:** Ø 35 mm
- **Max. surface depth:** 65 mm
- **Spout diameter:** 24 mm
- **Spout aerator size:** 22f

Product flow characteristics:



- **Min / Max water pressure:** 0.30 / 5.5 bar
- **Recommened / Max water temperature:** 46°C / 70°C
- **Control valve type:** Ceramic disc QT
- **Product flow characteristics:** (C&F / H) dual flow
- **Non return valve(s):** No, none required
- **Aerator type:** Flow straightener
- **Accepts revolve / spray areator:** Yes
- **Spout connection method:** Grub screw
- **Tail pipe inlet / outlet size:** M12 / 15mm Ø
- **Inlet pipe type / length:** copper rigid tube / 245 mm

Order code:	Chrome	Brushed Nickel	English Gold	Antique Bronze	Stainless Steel	Chrome & Black	Chrome & White
	 AT2005	 AT2006	 AT2007	 AT2008			

Warranty Summary (Full details available on request):

- Materials and workmanship defects warranted for 5 years
- Valves and working parts warranted for 2 years
- Surface warranty defects warranted for 1 year
- O-rings, hoses & gaskets warranted for 1 year

Care instructions:

- Clean the mixers and showers regularly as required, using soap, do not use any other cleaners.
- Regular cleaning will prevent the build up of lime scale and dirt
- After cleaning rinse thoroughly with clean water to remove any cleaner residue
- Residues of sink & worktop cleaners can also cause damage, so rinse with clean water after using, avoid contact with any abrasives

ATLAS 3 WAY TAP

These 3 way taps offer a quality product without a filter so that you can use your own (or preferably one of ours) at a reasonable price. All are made for the UK market so are suitable for both vented and unvented water systems and are supplied with all the fittings suitable for connection to 15mm. Filter connection is 1/4" F. Adaptors for both 1/4" and 3/8" tube are included



B337 Atlas 3 way Tap Chrome

B338 Atlas 3 way Tap Brushed Nickel



Product features:

- Metal construction throughout
- Push the cold lever backwards for crystal clear filtered water, easy to change, high quality carbon filter
- Supplied complete with installation kit and filter cartridge
- Quarter turn handle action for precise flow control
- Antisplash spout supplied as standard

Additional information / Parts included:

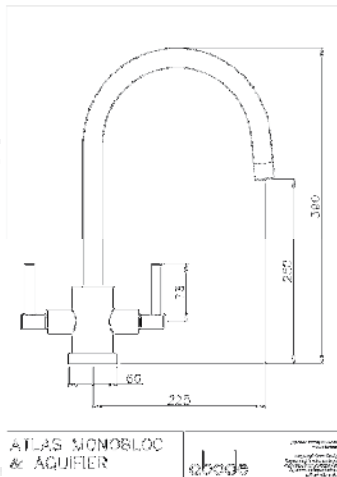
Packaged properties:

Box length: 430mm **Box depth:** 70mm
Box width: 340mm **Units per outer:** 5

Tap only weight: 2.259kg

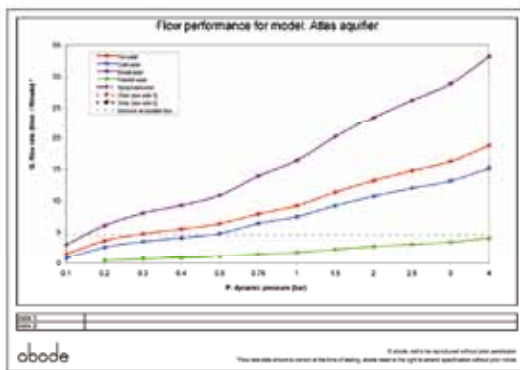
Boxed weight: 2.883*kg

Product dimensions:



- **Overall Height / projection:** 395 mm
- **Exit reach:** 225 mm
- **Exit height:** 255 mm
- **Centre distance(s):** 225 mm
- **Base diameter(s):** 60 mm
- **Reccomended hole diameter:** Ø 35 mm
- **Max. surface depth:** 60 mm
- **Spout diameter:** 24 mm
- **Spout aerator size:** 22f

Product flow characteristics:



- **Min / Max water pressure:** 0.30 / 5.5 bar
- **Reccomended / Max water temperature:** 46°C / 70°C
- **Control valve type:** Ceramic disc QT
- **Product flow characteristics:** (C&F / H) dual flow
- **Non return valve(s):** No, none required
- **Aerator type:** Flow straightener
- **Accepts revolve / spray areator:** Yes
- **Spout connection method:** Grub screw
- **Tail pipe inlet / outlet size:** M12 / 15mm Ø
- **Inlet pipe type / length:** copper rigid tube / 245 mm

Order code:

Chrome



AT2003

Brushed Nickel



AT2004

English Gold



Antique Bronze



Stainless Steel



Chrome & Black



Chrome & White



Warranty Summary (Full details available on request):

- Materials and workmanship defects warranted for 5 years
- Valves and working parts warranted for 2 years
- Surface warranty defects warranted for 1 year
- O-rings, hoses & gaskets warranted for 1 year

Care instructions:

- Clean the mixers and showers regularly as required, using soap, do not use any other cleaners.
- Regular cleaning will prevent the build up of lime scale and dirt
- After cleaning rinse thoroughly with clean water to remove any cleaner residue
- Residues of sink & worktop cleaners can also cause damage, so rinse with clean water after using, avoid contact with any abrasives

SWICH

The Swich is a brand new design that will convert any kitchen tap into a filtered water supply as well as it's normal function of supplying cold water. The Swich is installed in the sink or worktop and the cold water supply is diverted through the Swich. Here it can then be directed to supply normal cold or filtered water to the existing tap. Comes complete with filter unit and all necessary fittings. Available with either a round or square handle.



- B333 Swich Round Handle Chrome
 - B334 Swich Square Handle Chrome
-



Product features:

- Innovative Patented design adds filtered water to any kitchen tap
- Complete with flexible hoses & pushfit fittings for easy installation
- Metal construction throughout
- Fixing kit designed for thicker surface depths
- Can be installed in any standard 35mm tap hole

Additional information / Parts included:

Normal cold water flow reduced by apx. 20% to conserve water usage

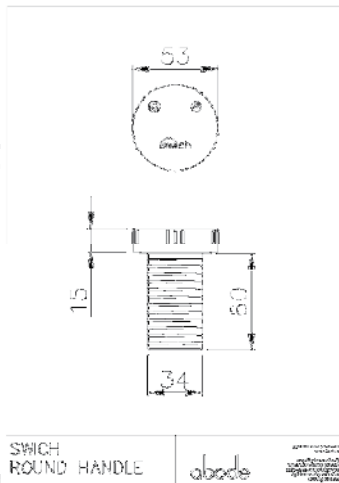
Packaged properties:

Box length: ?mm Box depth: ?mm
 Box width: ?mm Units per outer: ?

Tap only weight: ?kg

Boxed weight: ?kg

Product dimensions:



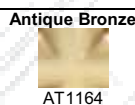
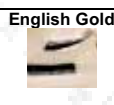
- Overall Height / projection: 15 mm
- Exit reach: n/a mm
- Exit height: n/a mm
- Centre distance(s):
- Base diameter(s): 53 mm
- Reccomended hole diameter: Ø 35 mm
- Max. surface depth: 50 mm
- Spout diameter: n/a mm
- Spout aerator size: n/a

Product flow characteristics:

- Min / Max water pressure: 0.00 / 5.5 bar
- Reccomended / Max water temperature: 46°C / 70°C
- Control valve type: Ceramic disc QT
- Product flow characteristics: N/a
- Non return valve(s): No, if required use from existing tap installed
- Aerator type: N/a
- Accepts revolve / spray areator: No
- Spout connection method: N/a
- Tail pipe inlet / outlet size: M10 / 15mm Ø
- Inlet pipe type / length: rapid fit tail pipes / 750 mm

Flow graph not available

Order code:



Warranty Summary (Full details available on request):

- Materials and workmanship defects warranted for 5 years
- Valves and working parts warranted for 2 years
- Surface warranty defects warranted for 1 year
- O-rings, hoses & gaskets warranted for 1 year

Care instructions:

- Clean the mixers and showers regularly as required, using soap, do not use any other cleaners.
- Regular cleaning will prevent the build up of lime scale and dirt
- After cleaning rinse thoroughly with clean water to remove any cleaner residue
- Residues of sink & worktop cleaners can also cause damage, so rinse with clean water after using, avoid contact with any abrasives

Specifications and dimensions are believed to be accurate at the time of printing, however we cannot be held responsible for errors or omissions

E & OE